

8

7

6

5

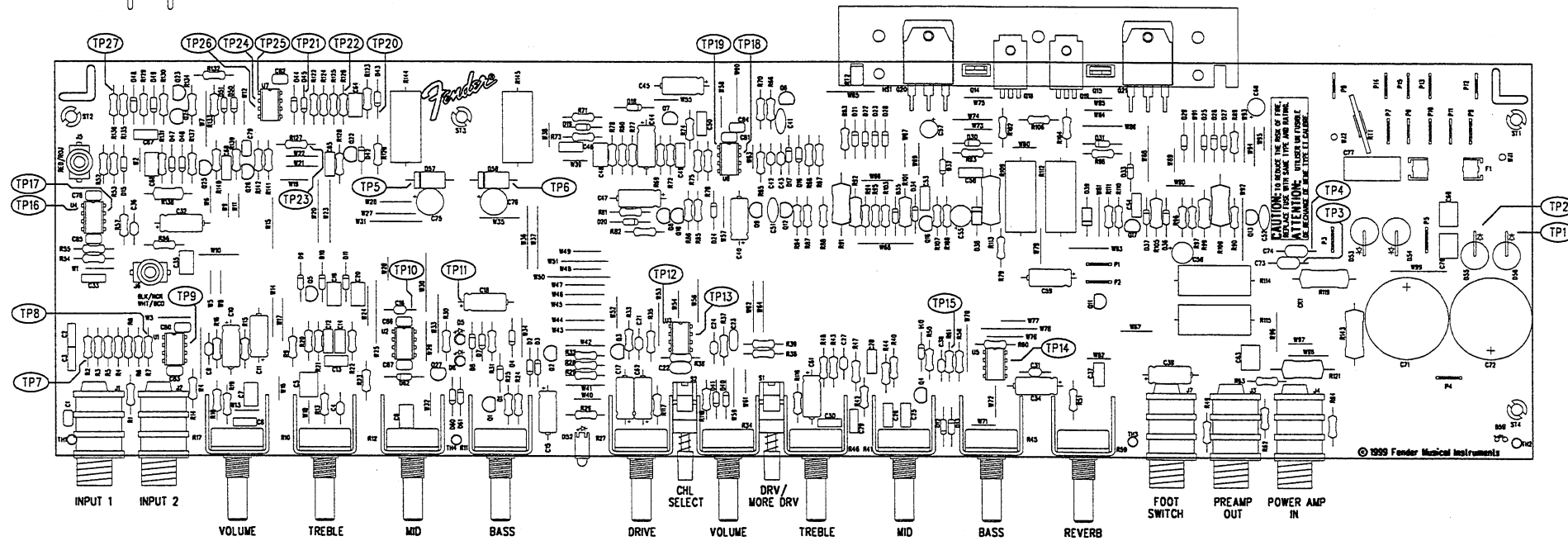
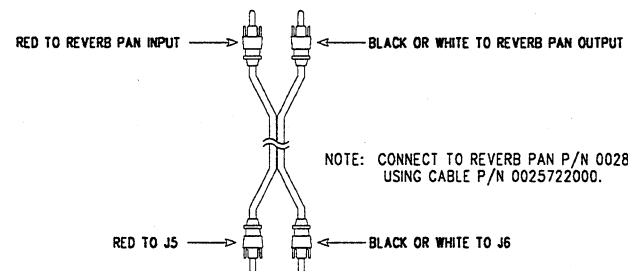
4

3

2

1

REVISIONS			
REV.	DESCRIPTION	DATE	APPROVED
A	PR402	03-FEB-99	S.M.B.
B	EC 2264	03-MAR-99	S.M.B.
C	EC 2310	21-JUN-99	S.M.B.



ATTENTION: THIS BOARD IS DESIGNED TO BE USED WITH THE DELUXE 90 AMPLIFIER. PLEASE USE THE SAME TYPE AND MAKE OF COMPONENTS AS SPECIFIED IN THE ORIGINAL DRAWING. OTHERWISE, THE BOARD MAY NOT FUNCTION PROPERLY.

© 1999 Fender Musical Instruments

1. SEE SHEET 1 FOR PRIMARY, WIRING, TEST CONDITIONS & TEST POINT VALUES.

NOTES: (UNLESS OTHERWISE NOTED)

THIS DOCUMENT CONTAINS INFORMATION OF A PROPRIETARY NATURE TO FENDER MUSICAL INSTRUMENTS AND IS SUBMITTED TO YOU IN CONFIDENCE AND SHALL NOT BE DISCLOSED OR TRANSMITTED TO OTHERS WITHOUT AUTHORIZATION FROM FENDER MUSICAL INSTRUMENTS.		MUSICAL INSTRUMENTS 2621 Research Drive Corona, CA 91720 USA	
CHECKED BY: <i>B. Venz</i>	DATE: <i>22-JUN-99</i>	TITLE: SERVICE DIAGRAM, COMBINED (PCB assy) DELUXE 90 AMPLIFIER	
APPROVED BY: <i>S. Sandhead</i>	DATE: <i>6-22-99</i>	SIZE: D	DRAWING NUMBER: 0054284000
DRAWN: R.MURRAY	ENGR: S.SANDHEAD	RELEASE DATE: 03-FEB-99	SHEET 2 OF 2
DATABASE FILE: 2402P.PCB		REV. C	

8

7

6

5

4

3

2

1